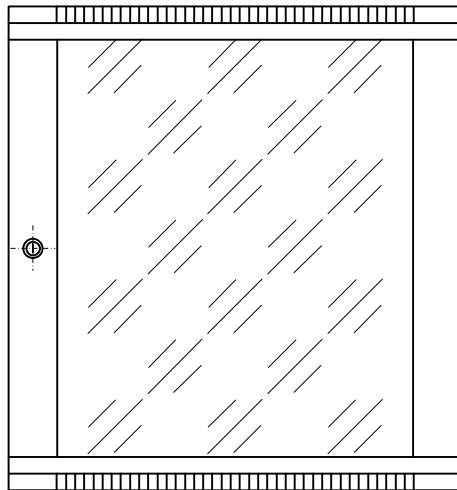
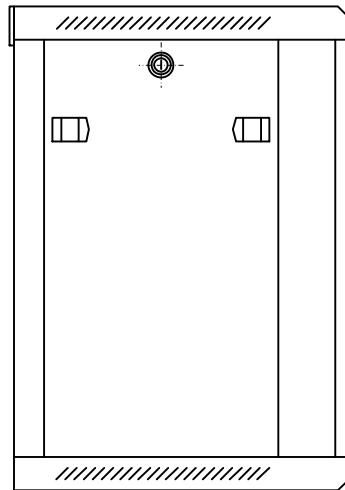


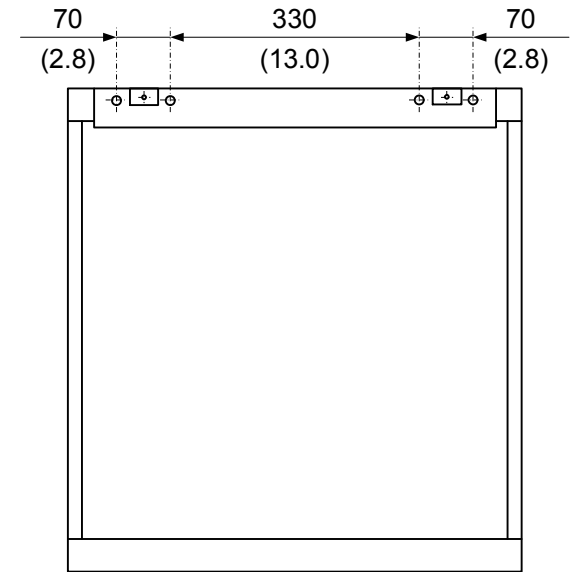
top view



front view



side view



rear view

REVISIONS				
ZONE	REV	DESCRIPTION	DATE	APPROVED
	A	A-OCT-11 WEC-S	OCT'11	

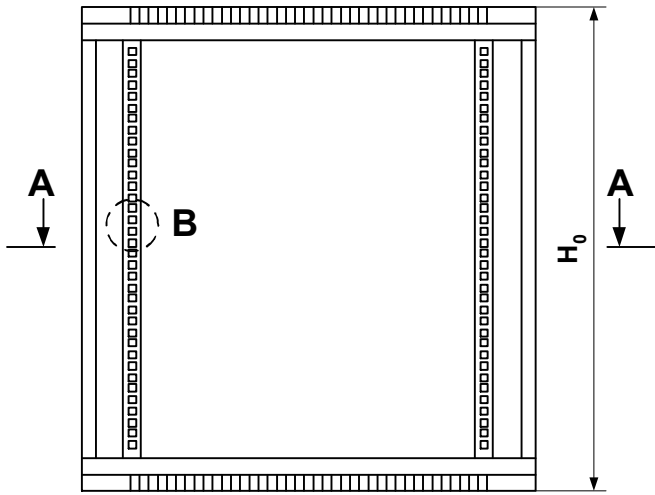
UNLESS OTHERWISE SPECIFIED  
DIMENSIONS ARE IN MILLIMETERS (INCHES)  
TOLERANCES (MM):  
L<=20 (0.8) ±0.1 (0.004)  
L>20 (0.8) ±0.2 (0.008)  
ANGULAR: ±0° 50'

**MATERIAL:** AS NOTES  
**MECHANICAL:** AS NOTES  
**ELECTRICAL:** AS NOTES

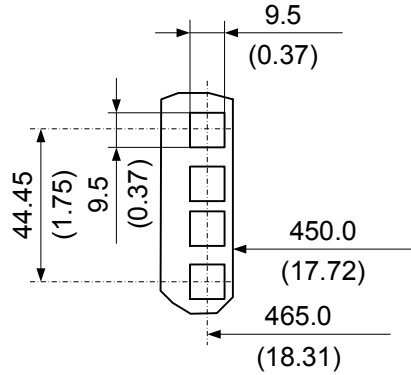


<b>PROJECT ID</b> SPCS - PD		<b>FILE</b> SPCS-PD.WEC-S	OCT'11	16295 NW 13th Ave, Ste A, Miami, FL 33169, PH: (305) 944-7710, FX: (305) 949-4483, www.signamax.com	
<b>PROCESS</b>	<b>INITIALS</b>	<b>NAME</b>	<b>DATE</b>	<b>TITLE</b> WEC (WALL-MOUNT EQUIPMENT CABINETS, SINGLE-SECTION)	
DRAWN				<b>SIZE</b> A	<b>REV</b> A
CHECK				<b>CAGE CODE</b>	<b>DWG. NO.</b>
APPROVED				<b>SCALE</b> 1:10	<b>UNIT</b> MM (IN) <b>SHEET</b> 1 OF 2

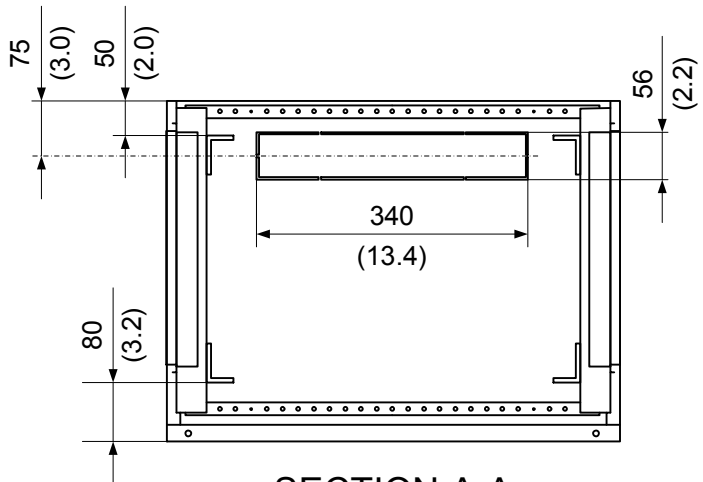
REVISIONS				
ZONE	REV	DESCRIPTION	DATE	APPROVED
	A	A-OCT-11 WEC-S	OCT'11	



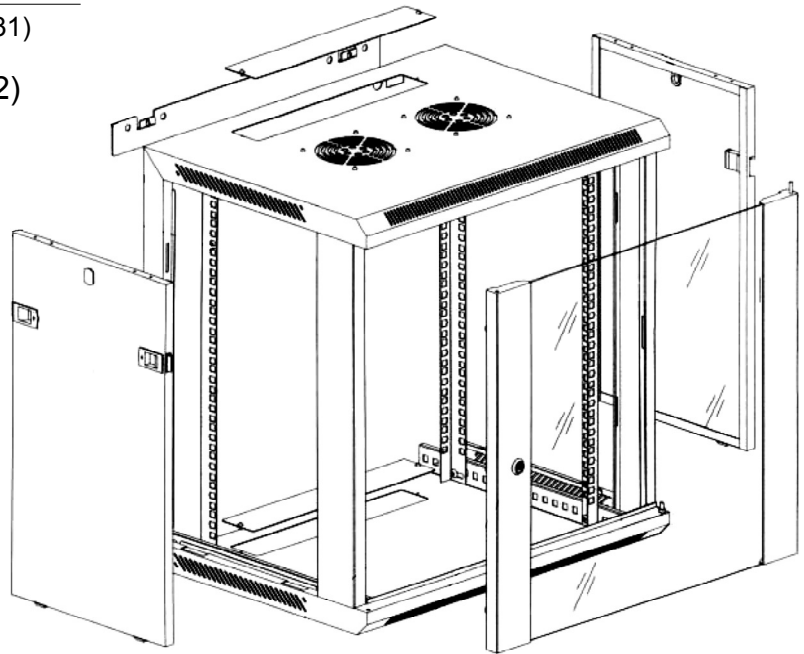
front view with door removed



DETAIL B (1:2)



SECTION A-A



<small>UNLESS OTHERWISE SPECIFIED DIMENSIONS ARE IN MILLIMETERS (INCHES) TOLERANCES (MM):</small> L<=20 (0.8) ±0.1 (0.004) L>20 (0.8) ±0.2 (0.008) ANGULAR: ±0°50'		<b>MATERIAL:</b> AS NOTES <b>MECHANICAL:</b> AS NOTES <b>ELECTRICAL:</b> AS NOTES			
<b>PROJECT ID</b> SPCS - PD		<b>FILE</b> SPCS-PD.WEC-S	OCT'11	16295 NW 13th Ave, Ste A, Miami, FL 33169, PH: (305) 944-7710, FX: (305) 949-4483, www.signamax.com	
<b>PROCESS</b>	<b>INITIALS</b>	<b>NAME</b>	<b>DATE</b>	<b>TITLE</b> WEC (WALL-MOUNT EQUIPMENT CABINETS, SINGLE-SECTION)	
DRAWN				<b>SIZE</b> <b>A</b>	<b>CAGE CODE</b>
CHECK				<b>DWG. NO.</b>	
APPROVED				<b>REV</b> <b>A</b>	
<b>SCALE</b> 1:10		<b>UNIT</b> MM (IN)	<b>SHEET</b> 2 OF 2		