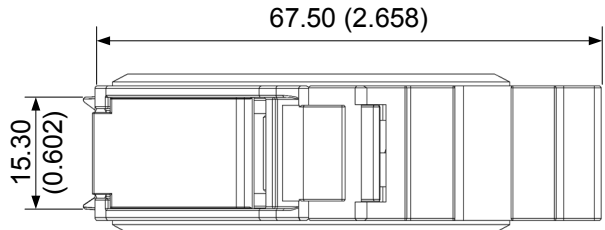
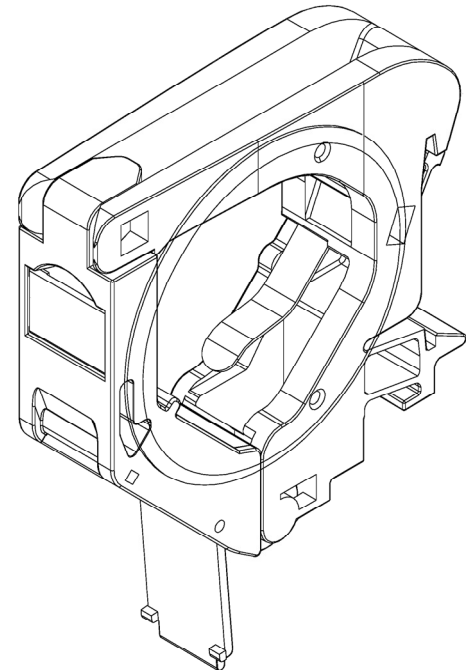
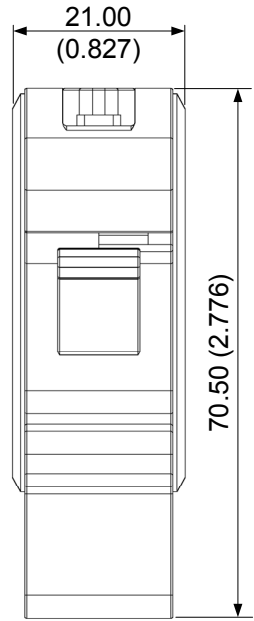
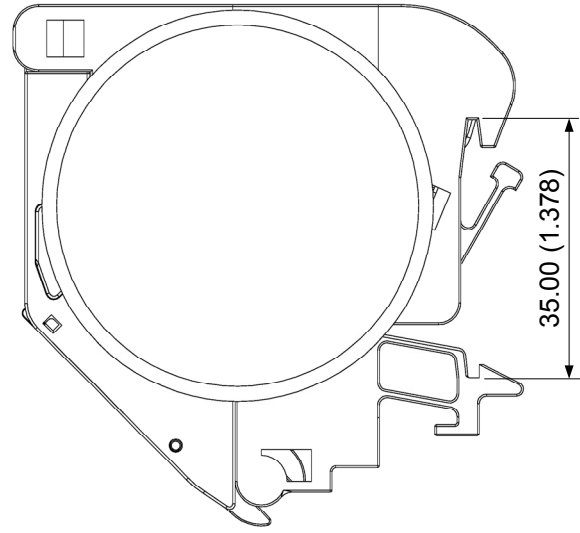
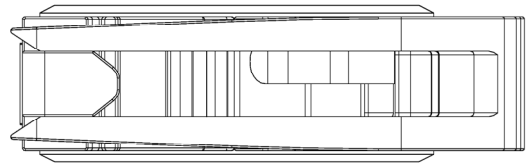
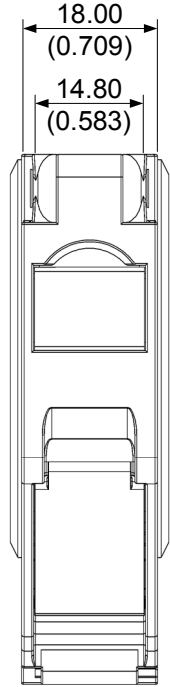


REVISIONS				
ZONE	REV	DESCRIPTION	DATE	APPROVED
	A	A-AUG-09 KI-DIN-RMM	AUG'09	



NOTES:
CONSTRUCTION
 Housing: high impact thermoplastic, UL94V-0 fire retardant
 Spring: bronze alloy
MECHANICAL
 DIN rail: 35 mm 1.378 in
 Keystone module width: 17 mm (0.669 in) max
ENVIRONMENTAL CONDITIONS
 Storage: -40°C - +70°C (-40°F - +158°F)
 Operation: -10°C - +60°C (+14°F - +140°F)
 RH (operation): max non-condensing 93%

UNLESS OTHERWISE SPECIFIED
 DIMENSIONS ARE IN MILLIMETERS (INCHES)
 TOLERANCES IN MILLIMETERS (INCHES):
 0.0 ± 0.016" ± 0.2 mm ± 1°
 0.00 ± 0.008" ± 0.1 mm ± 1°30'
 0.000 ± 0.004"

MATERIAL: AS NOTES
MECHANICAL: AS NOTES
ELECTRICAL: AS NOTES



PROJECT ID SPCS - PD		FILE SPCS-PD.KI-DIN-RMM	AUG'09
PROCESS	INITIALS	NAME	DATE
DRAWN			
CHECK			
APPROVED			

16295 NW 13th Ave, Ste A, Miami, FL 33169, PH: (305) 944-7710, FX: (305) 949-4483, www.signamax.com			
TITLE KI-DIN-RMM (KEYSTONE INDL DIN-RAIL MTG MODULE)			
SIZE A	CAGE CODE	DWG. NO.	REV A
SCALE	1:1	UNIT MM (IN)	SHEET 1 OF 1